

**10 GN 1/1 AND 10 GN 2/1 ELECTRIC STEAM - CONVECTION OVEN**  
**FORNO CONVEZIONE- VAPORE ELETTRICO 10 GN 1/1 E 10 GN 2/1**

PNC	Model	Ref.	Page	Notes
240 316	FCS/E 101EP	a		
240 324	FCS 102EP	b		
240 312	FCS 101EP4J	c		
240 320	FCS 102EP4J	d		



**PLATON SERVICE**

8 (800) 500-34-41

[www.platonservice.com](http://www.platonservice.com)

	<b>Index</b>	<b>Indice</b>
Pag. 1	Oven cabinet and door	Cella forno e porta
2	Water system	Impianto idraulico
3	Electrical components	Componenti elettrici
4-7	Spare parts list	Lista ricambi

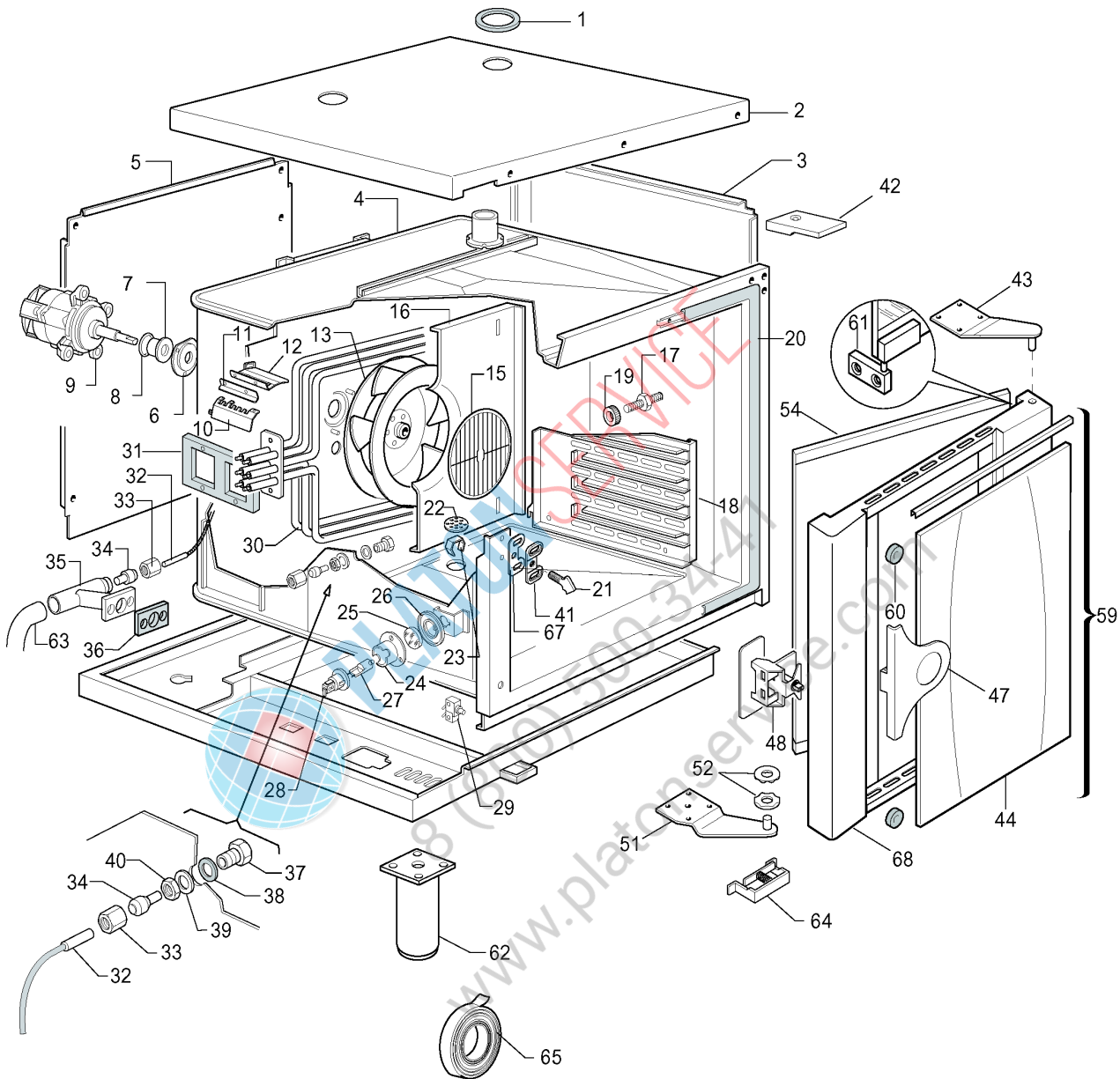
**Brand / Marchio :**  
**Factory code:**

OS/DOC

From ser. nr. / Da Ser. Nr.: 503.....

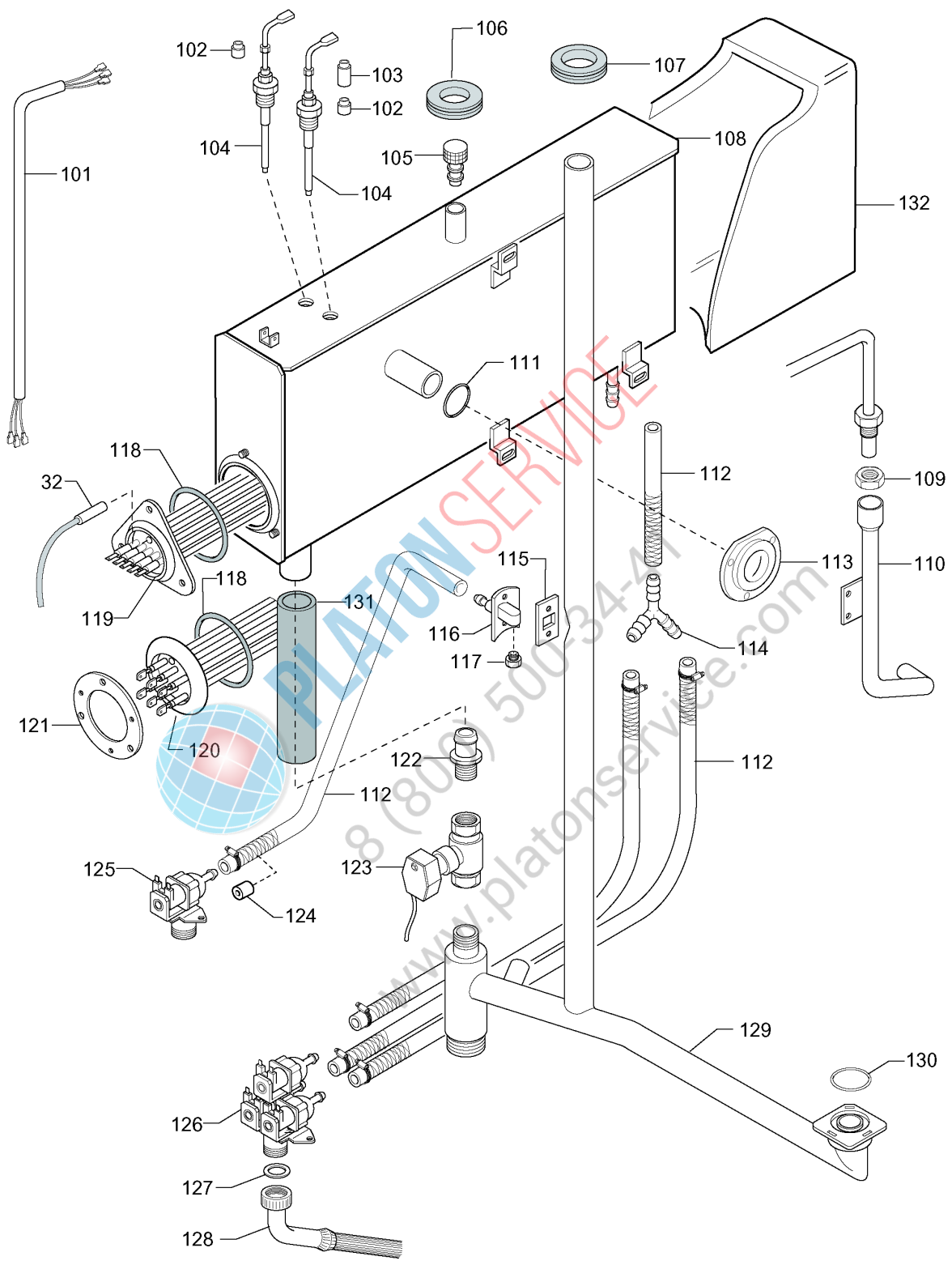
Ed. 0802

Doc. Nr.: **3 - 11 045**

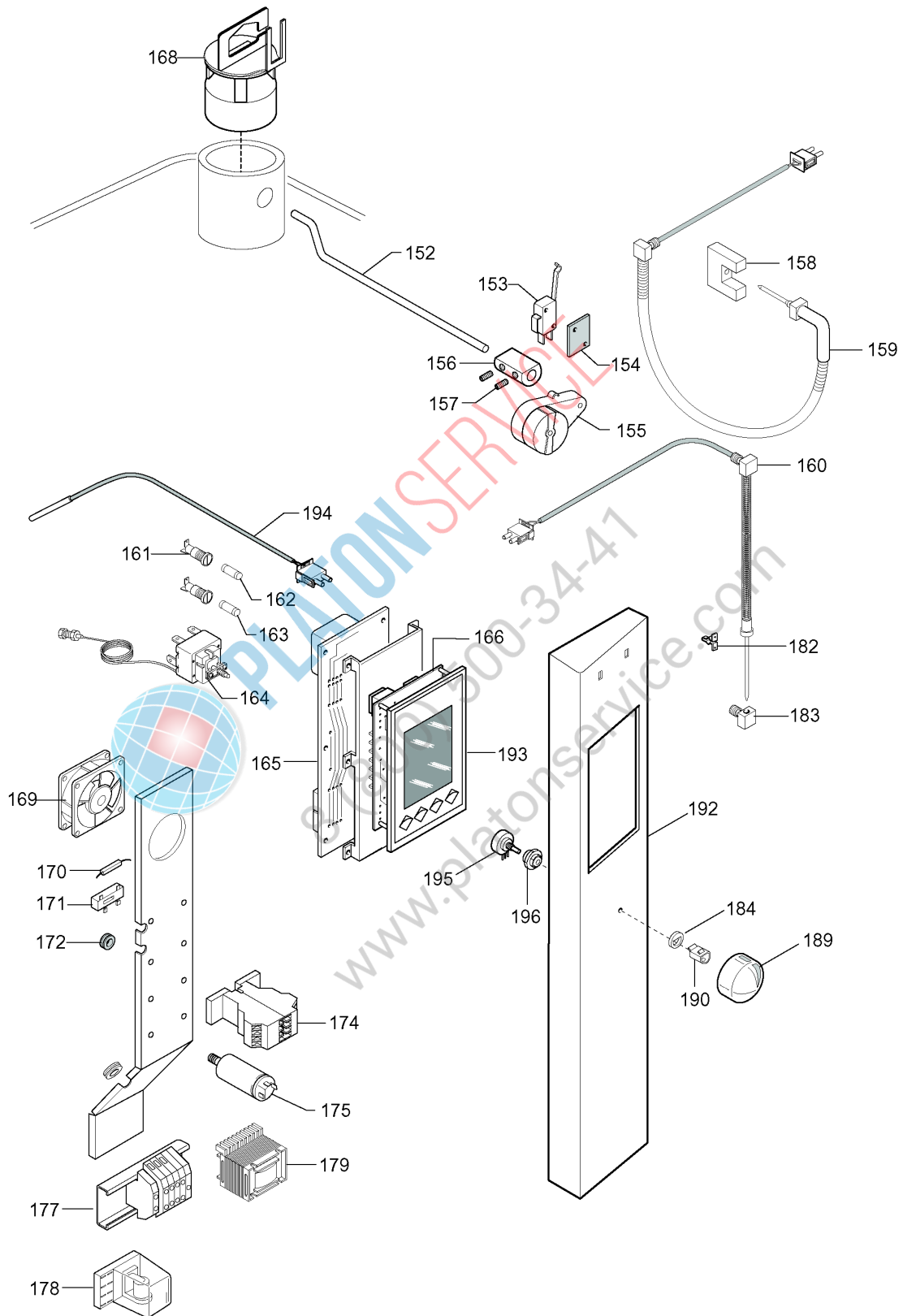


??????	240324								
??????	3-11045		???????? 2				Oven cabinet and door		
.		Alias		S			.		(Euro)
0001	053829							BUFFER	11,50
0002	006457							LID	404,00
0003	006262							SIDE PANEL	500,00
0003	0C1097							RIGHT SIDE	151,20
0004	000000	851802501							
0005	0C0803						D	BACK PANEL	254,80
0006	006670			S				FLANGE	6,15
0007	002699							BEARING; FOR MOTOR SHAFT	20,50
0008	002873							O-RING; ØI=MM.28,17X3,53	2,43
0009	002748							MOTOR; 4/6P; 350W 230V 50-60HZ	309,60
0010	006255	503891701						SUPPORT	19,89
0011	006253	503897400		S				ANGLE	9,19
0012	006256	503891801						BLADE; FOR FIXING HEATING ELEMENT	15,20
0013	002740		0C8306					FAN BLADE; Ø=440X150 MM	b
0015	002741							GRILL	82,42
0016	003210							SUCTION WALL	192,90
0017	004390							PIN	6,76
0018	002742							LIGHT DIFFUSER	220,30
0018	002743							LIGHT DIFFUSER	195,90
0019	003225							SPACER	5,91
0020	005712							DOOR GASKET; 665X730 MM	97,44
0021	0C1584			S				CATCH	27,81
0022	056444							STRAINER	23,55
0023	054905							SPRING FILTER; AISI 304	8,26
0024	002628							FLANGE	4,01
0025	002627						+	LAMP GLASS	10,24
0026	002626						+	LAMP HOLDER GASKET	15,39
0027	007056		0C9877				D	LAMP	
0028	0C1555			S	A		+	LAMP HOLDER	6,05
0029	046063							DOOR MICROSWITCH	9,90
0030	0A5330							HEATING ELEMENT; 8KW 400V	b
0031	002689							HEATING ELEMENT GASKET	26,09
0032	002615		0C5342				+	TEMPERATURE PROBE	
0033	002702							NUT	22,94
0034	002701							INSULATOR	3,59
0035	0C0850							BY PASS TUBE	47,40

??????	240324								
??????	3-11045	???????? 2	Oven cabinet and door						
.		Alias		S		.			(Euro)
0036	002614							GASKET	9,65
0037	002623							PIPE FITTING	10,04
0038	002624					Kit		GASKET; SET 50 PCS	24,16
0039	002700							WASHER	3,07
0040	020997							LOCK NUT	1,25
0041	0C1583			S				CATCH HOLDER	25,48
0042	002655							HINGE COVER	71,15
0043	002651							HINGE	57,75
0044	0C1506							GLASS; ASS.	164,40
0047	0C1588			S				HANDLE	112,70
0048	0C1581			S				DOOR CLOSURE	165,40
0051	002652							HINGE	56,03
0052	002653							SPACER FOR HINGE	13,62
0054	0C1502			S				GLASS; ASS.	339,00
0059	0C1579							DOOR; ASS.	1 185,00
0060	006976			S				SHOCK ABSORBER	4,33
0061	007007			S				HINGE	16,36
0062	006699							FOOT	7,85
0063	006248			S				PIPE; DIA 26X20, BY METER	28,83
0064	003773							DRAIN CONDENSATION MECHANISM; FCV	59,48
0065	006451			S				ALLUMINIUN TAPE; 50MT	31,36
0067	000000	533809100							
0068	0C1580			D				FRAME; ASSY	554,00



??????		240324									
??????		3-11045		???????? 3		Water system					
.		Alias		S			.				(Euro)
0032	002615		0C5342			+			TEMPERATURE PROBE		
0101	002763								SHIELDED CABLE; WATER LEVEL PROBES		20,27
0102	055435						03010		SPACER; L=5MM	L= 5 mm	17,08
0103	055347								SPACER; H=11,5MM	L= 9 mm	5,81
0104	002694						30034		WATER LEVEL PROBE; L=101,5 MM; BOILER		18,57
0104	003878					+			LEVEL PROBE; 100 MM		30,86
0105	002692								CAP; DESCALING LOAD IN THE BOILER		6,76
0106	002634		0C7016						BUFFER		
0107	002610								BUFFER		5,86
0108	003945		0C5344			+			STEAM GENERATOR		
0109	006245								NUT		4,75
0110	0C1619								TUBE	b,d	31,57
0111	002874								O-RING; ØI=31,34X3,53 MM		3,48
0112	002707		0C4158				PDD2005-18		ARMORED RUBBER HOSE; BY METER		
0113	005381			S					FLANGE		9,14
0114	047431								CONNECTION 3 WAY		5,86
0115	002612								GASKET		7,85
0116	002611								NOZZLE		27,20
0117	056681								NOZZLE	b,d	9,01
0118	046213		0L2765						HEATING ELEMENT GASKET		
0120	002751		0C5337			+			HEATING ELEMENT; 24KW-400V	b - 24000 W-400V	
0121	003362								FLANGE		49,74
0122	007117			S					CONNECTION		15,81
0123	0C0882		0CB250	S	A				MOTOR-OPERATED VALVE; 3/4" 230V 50/60HZ		144,10
0124	0A5325								FLOW CONTROL	b,d - dia. 2,00 mm	16,77
0125	002613								SOLENOID VALVE; ES90 230V 50/60HZ		14,19
0126	002712								SOLENOID VALVE; 3-WAY ET90 230V 50/60HZ		25,02
0127	061488								GASKET; ØI=15MM; ØE=24MM		1,00
0128	053789		0C8316						FEEDER HOSE; 3/4"F, L=150 CM		
0129	0C1618								PIPE; CONDENSATION DUMP	b,d	
0130	055323								SEALING RING		10,39
0131	006252		0C5006						DRAINING PIPE; 370 MM		
0132	006714			S					INSULATOR		22,23



From ser. nr. / Da Ser. Nr.: 503.....

Page: 3

Ed. 0802

Doc. Nr.:

**3 - 11 045**

??????	240324									
??????	3-11045		???????? 4				Electrical components			
.		Alias		S			.			(Euro)
0152	002818						ROD	b,d		20,00
0153	053671						MICROSWITCH			8,04
0154	045404			S			PLAQUE			1,02
0155	002696						GEARMOTOR			
0156	005752						BUSH			31,16
0157	046258						GRUB SCREW			1,02
0158	006175						STOPPING	b,d		24,77
0159	0C0967						PROBE; ASS.			345,10
0161	056582						FUSE HOLDER			10,08
0162	058871						FUSE; 6,3A; 5X20; QUICK ACTING	6,3 AF		1,02
0163	002820						FUSE; 160MA; SLOW-ACTING	160 mA		1,25
0164	002730						SAFETY THERMOSTAT; 338 C			77,67
0165	0C0968		0C4347				POWER BOARD	POW 2 liv.-level 6		
0168	005499						VAPOURS EXHAUST TUB			166,50
0169	002690		0C4423				FAN; 19W 230V 50/60HZ			
0170	058872						COMPETANCE RESISTANCE; 100 OHM	100 Ohm		4,38
0171	058873		0C9052				TERMINAL BOARD			
0172	066834						BUFFER	dia. 4 mm		1,02
0174	006879			S	A		CONTACTOR; 220-240V 50HZ/240-264V 60HZ	a,c,b		37,68
0175	047744						CAPACITOR; 20MF	b,d - 20 µF		19,33
0177	002691		0F0112				TERMINAL BOARD; 16 MM2	a,b		
0178	058857						RELAY	a,b		25,12
0179	007045			S	A		TRANSFORMER; 100VA 230/12V			54,10
0182	053342						SPRING; FOR BRAND			1,02
0184	003955					Kit	GASKET; SET 50 PCS			13,74
0189	0C0966			S			KNOB			42,33
0190	025245			S			KNOB SPRING			1,02
0192	0C0962						CONTROL PANEL			274,10
0193	0C0970			S	A		PCB; ASS.			1 071,00
0194	002615		0C5342			+	TEMPERATURE PROBE			
0195	0C0974			S			POTENTIOMETER			32,78
0196	0C1560						BUSH; F/POTENTIOMETER			34,51